

SDPD12009020

piatto doccia/ shower tray

Piatto doccia SoloDue H2 cm 120 X 90.  
SoloDue h2 cm 120 X 90 shower tray.

code  
code



cotone/ cotton

Finis COLORS 1250° // COLORS 1250° finishing

(Spécifiez la couleur lors de la commande /Specify the color when ordering)

Finis Le malteceramiche // Le malteceramiche finishing

(Spécifiez la couleur lors de la commande /Specify the color when ordering)

Finis SHINE // SHINE finishing

(Spécifiez la couleur lors de la commande /Specify the color when ordering)

SDPD12009020CT

SDPD12009020...

SDPD12009020 CT/CE/CA...

SDPD12009020...

SDPD12009020 MC/MB....

SDPD12009020...

SDPD12009020 PS/SA/SS

cm 120x90xh2 / 47 1/4x35 7/16xh13/16"

scatole/box 1

kg 36

Technologies / technologies:

Spessore di 2 cm  
2 cm thickness

Découpe sur mesure  
Bespoke cut

Trattamento Antiscivolo  
Anti-slip

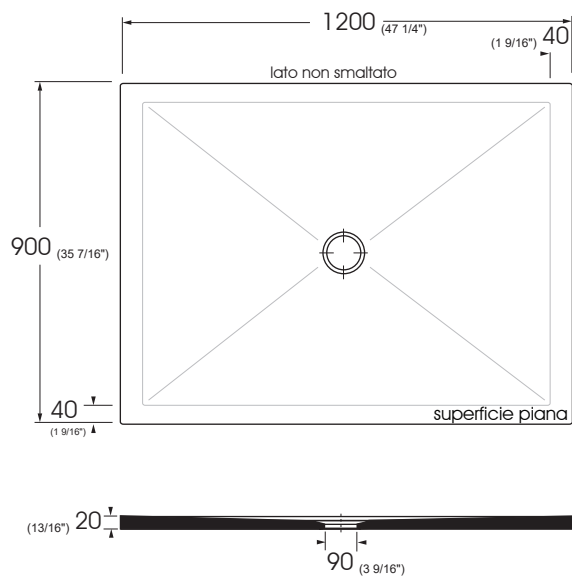
Bonde d'évacuation  
Waste system

Antibatterico  
Antibacterial

Dimensione minima 60cm  
minimum size 60cm

Dimensione massima 200cm  
maximum size 200cm

Découpe verticale, diagonale, bespoke  
Vertical, diagonal and bespoke cut



Éch. /scale 1:20 Dimensions /dimensions in mm

- Couleurs disponibles pour tous les produits SOLODUE  
et pour le bouchon de bonde

- Available for all SOLODUE products  
and for the free flow drains

COLORS 1250°



Le malteceramiche



SHINE



Compléments / complements:

Code  
code



Bonde de douche chromée en PET recyclé 1" 1/4 de diamètre ø 90 avec bouchon sérigraphié complète de coude terminal  
Chrome recycled PET shower drain 1" 1/4 diameter ø 90 with screen-printed cap complete with end bend

kg 0,5

SIF/H2

Per le varianti colore in PET riciclato specificare il codice colore al momento dell'ordine  
For recycled PET color variants please specify the color code when ordering

TECHNICAL SHEET n°: <b>01</b>	DESIGNER: <b>OFFICINA AZZURRA</b>	CODE: <b>SDPD12009020</b>	Azzurra sanitari in ceramica S.p.a. via Civita Castellana snc 01030 Castel S.Elia (VT) - ITALY Tel.+39.0761 518155 Fax.+39.0761 514560	
SHEET FORMAT: <b>A4</b>	ISO	REVISION: <b>04</b>	SCALE: <b>1:20</b>	DATE: <b>12/03/2025</b>
REGULATIONS: <b>CE EN 14527 / EN251 / Dop-14527*</b>				
All the measurements respect the tolerances provided by the "AZZURRA QUALITY GUIDELINES".				



\* Regulations here shown are exclusively referred to ceramic items